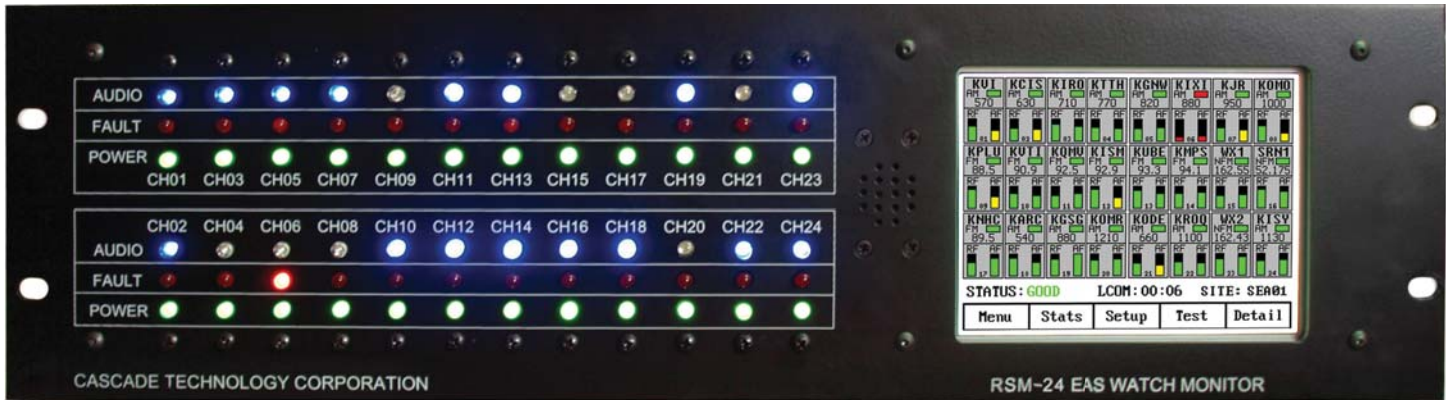


REMOTE STATION MONITOR (RSM)

CASCADE TECHNOLOGY CORPORATION



FEATURES

- Monitors up to 24 channels per unit
- AM / FM / WX / (D)TV / UHF / VHF EAS audio analysis
- Color LCD Touchscreen (RSM-24 model only)
- Software update and remote setup via Internet
- Modular design for flexibility and compatibility
- On-site station setup (RSM-24 and RSM-12 only)

APPLICATIONS

- Off-site On-Air Broadcast monitoring
- EAS Alerts Analysis
- Spurious EAS alert detection
- Verification of RWT and RMT
- Continuous multi-channel EAS monitoring

DESCRIPTION

The RSM-24 is a 3RU rack mount unit which combines state of the art technology with a modular design for flexibility and reliability in a variety of receiver roles.

The RSM models are designed to be placed in secure locations around the State (e.g. State Patrol Offices) and monitors multiple on-air signals for EAS Broadcasts (AM / FM / NWS / TV / HDTV / UHF / VHF). Each RSM-24 can monitor up to 24 signals per RSM-24 (provisioned in pairs for AM / FM / NWS modules). Each unit supports up to 6 analog TV / VHF / UHF modules.

When the unit detects an EAS alert, the full FSK text (including the two repetitions) are captured along with any voice audio and sent to the server/software for analysis.

Because the RSM continuously monitors preset stations, it can determine on/off air status and detect spurious alerts.

The Touchscreen LCD (RSM-24 model) shows stations being monitored, their signal strength and their relative audio level. Remote / on-site station selection setup for RSM-24 and RSM-12. Menu allows customizable user interface and audio to local speaker for setup. Normal display shows the time of the last internet interaction with the server.

The server regularly confirms connectivity. Should there be a connection disruption, the unit stores alert information and updates the server as soon as the connection is restored.

RSM-24 Model Shown



RSM Modules (RSMM):

Allows tracking different on-air signal types (AM / FM / WX / (D)TV / UHF / VHF), provisioned in identical pairs. Add up to 24 modules of the following:

- RSMM-Audio (On-Air EAS signals from local station monitor)
- RSMM-AFW (AM / FM / WX)

Add up to 6 modules of analog RSMM-TV, -VHF, -UHF (Each requires an RSMM-Audio input).

RSMM-AFW (AM-FM-WX) Module:

AM RF input monitors (520 - 1710 KHz)
FM RF input monitors (88.1 - 107.9 MHz)
WX NBFM input monitors (162.4 - 162.55 MHz)

The RSMM-AFW module can be software set to any of these modes and frequencies.

RSMM-TV / DTV (separate modules):

RSMM-VHF / UHF / Satellite Modules (separate modules):

VHF-L RF input monitors low band (30 - 50 MHz)
VHF-H RF input monitors high band (148 - 162 MHz)
UHF RF input monitors (450 - 480 MHz)
SatStream EAS receiver module (*One per unit*):
(960-1450 MHz)

RSMM-MODEM Option:

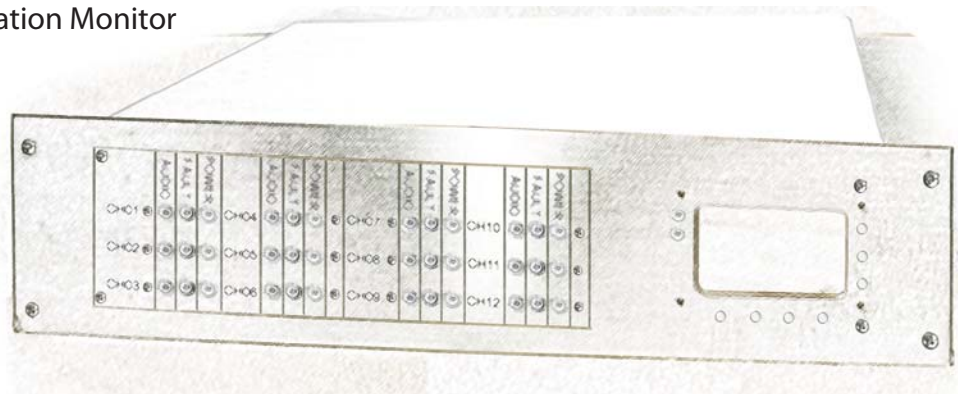
The Dial-up Modem option provides a modem using a standard RJ11 connection in place of standard RJ45 Ethernet. Dial-up telephone connection does not support capture of the voice portion of the EAS.

Requires reliable Ethernet to Internet connection or dial-up connection option. External antenna and Amplifier required

More information regarding the EAS Watch System can be found on our website (www.easwatch.com).

REMOTE STATION MONITOR (RSM-12)

12 Channel Maximum Remote Station Monitor



DESCRIPTION

The RSM-12 offers the same functionality as the RSM-24 except it handles up to 12 channels per unit and the LCD Color touch screen has been replaced with a monochrome LCD Display with user interface. Add up to 4 modules of analog RSMM-TV, -VHF, -UHF (Each requires an RSMM-Audio input).



REMOTE STATION MONITOR (RSM-8)

8 Channel Maximum Remote Station Monitor



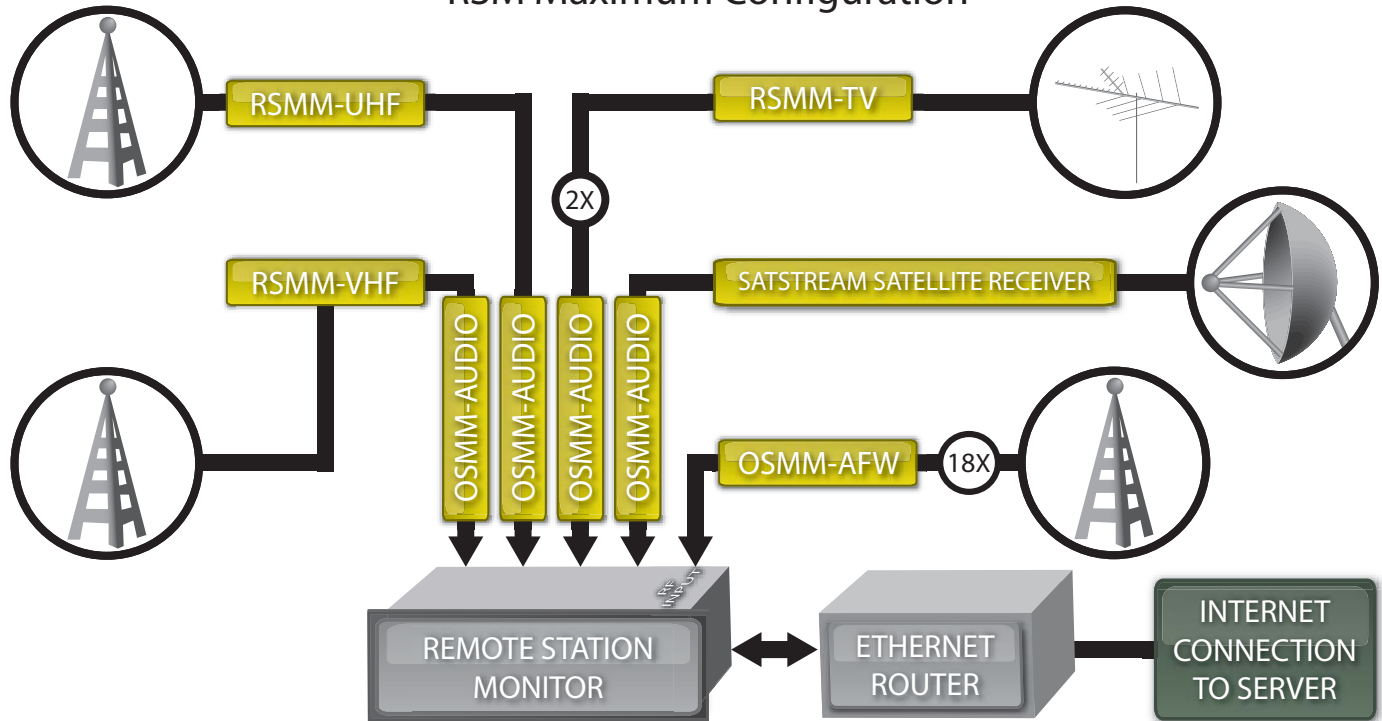
DESCRIPTION

The RSM-8 combines the same internal technology and modular framework as the RSM-24 and RSM-12, but does not include a graphic display. It is designed for more isolated areas having a smaller number of stations within a particular region. Add up to 2 modules of analog RSMM-TV, -VHF, -UHF (Each requires an RSMM-Audio input).

RSM SPECIFICATIONS

LNB output voltage	+18 volts at up to 250 milliamperes (SatStream option only)
Output Serial Port	8P8C RJ45 Ethernet Jack
(Optional) Modem Port	RJ11 Telephone Jack - 2400 bps
Power requirements	110-130 VAC 60 Hz less than 180 VA
Power Supply	Low noise linear mode
Environmental requirements	0 - 50 C, 5 - 95% relative humidity
Dimensions	3RU Rack Mount Receiver: 19" Wide x 5.25" High x 12" Deep (48.3 x 13.3 x 30.48 cm)

RSM Maximum Configuration



RSM-24 Installation at a State Patrol Office

